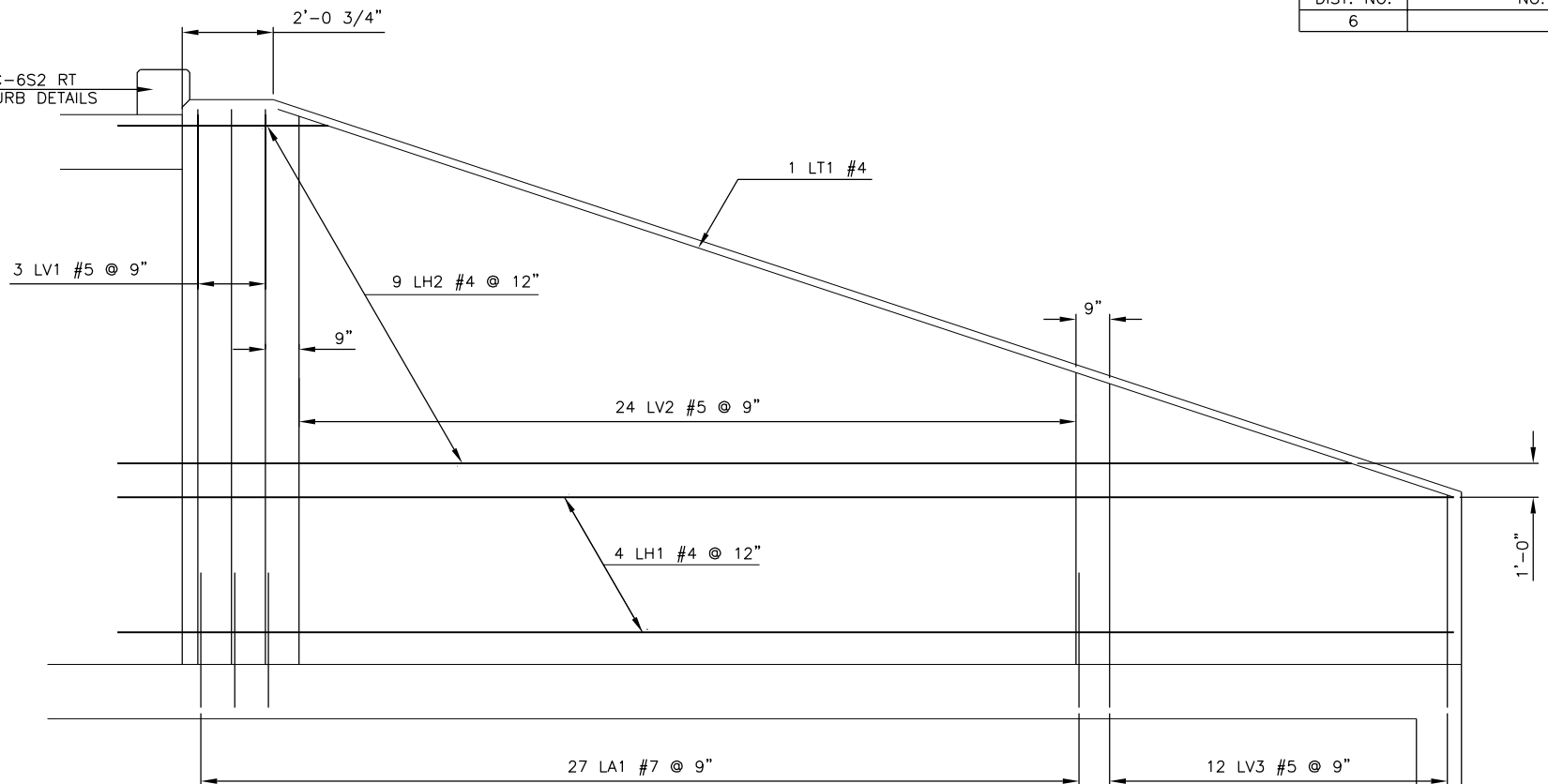
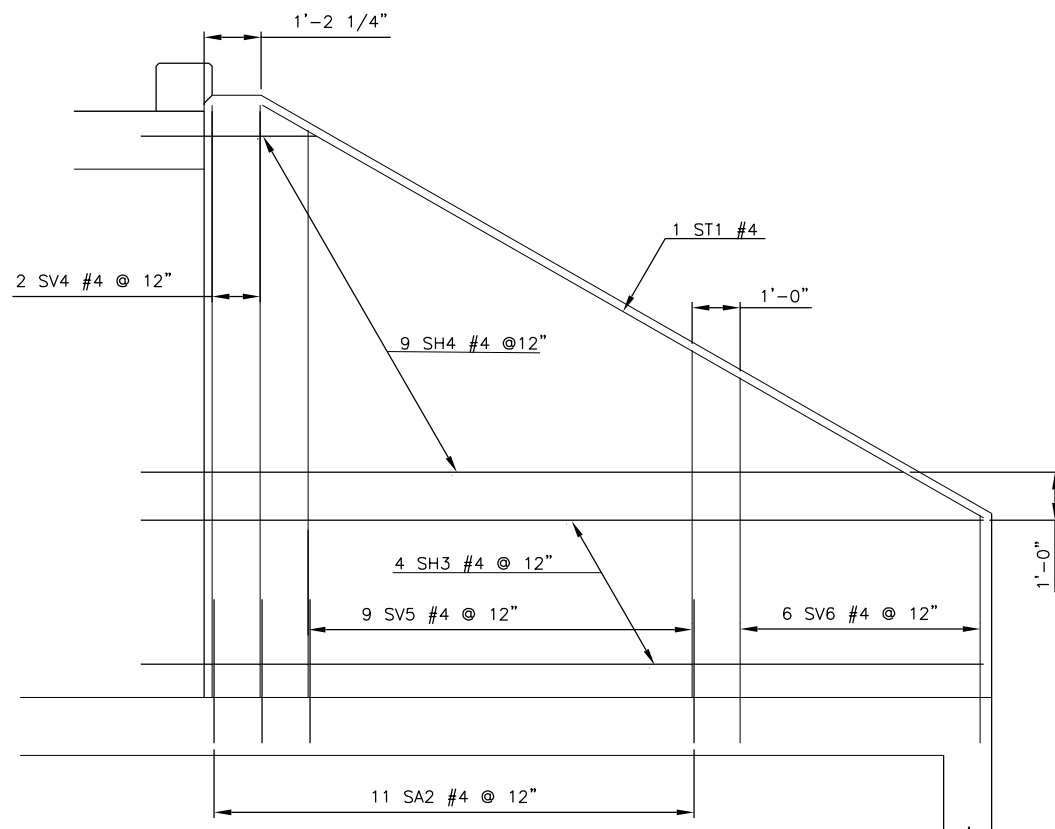


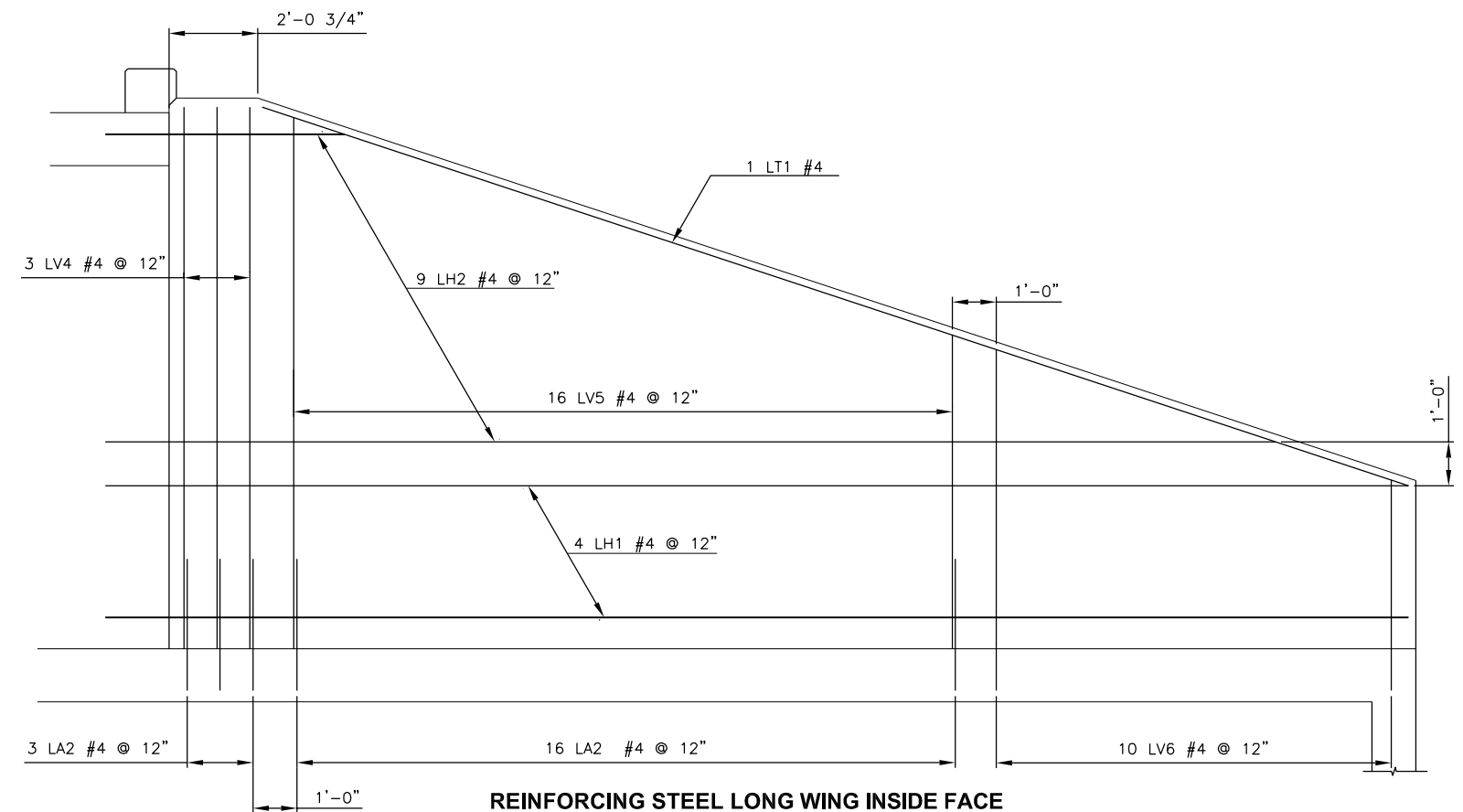
REINFORCING STEEL SHORT WING OUTSIDE FACE



REINFORCING STEEL LONG WING OUTSIDE FACE



REINFORCING STEEL SHORT WING INSIDE FACE



REINFORCING STEEL LONG WING INSIDE FACE

FILENAME: STR 53 DETAIL SHEET.DWG

DESIGN	D.L.P.	OSWALT ROAD	LOVE COUNTY
DRAWN	E.L.S. 6/11/14	STRUCTURE 53 DETAILS SHEET 2 OF 3	
CHECKED	D.L.P.		
APPROV.	D.E.S.		
SQUAD	C.E.C.		
		JOB PIECE NO. 25447(04) SHEET NO. B005	